

# ANGLE STOP MULTI TURN



## TECHNICAL DATA

**DESCRIPTION:**  
3/8" O.D. Comp. Outlet X 1/2" Cpv. Inlet Angle Stop Multi Turn

**CONSTRUCTION:**  
Solid Brass Body and Plastic Stem, Plastic Handle, Rubber Washer

**FINISH:**  
Chrome Plated finish

**CODE APPROVALS:**  
UPC approved. Complies w/ NSF-61

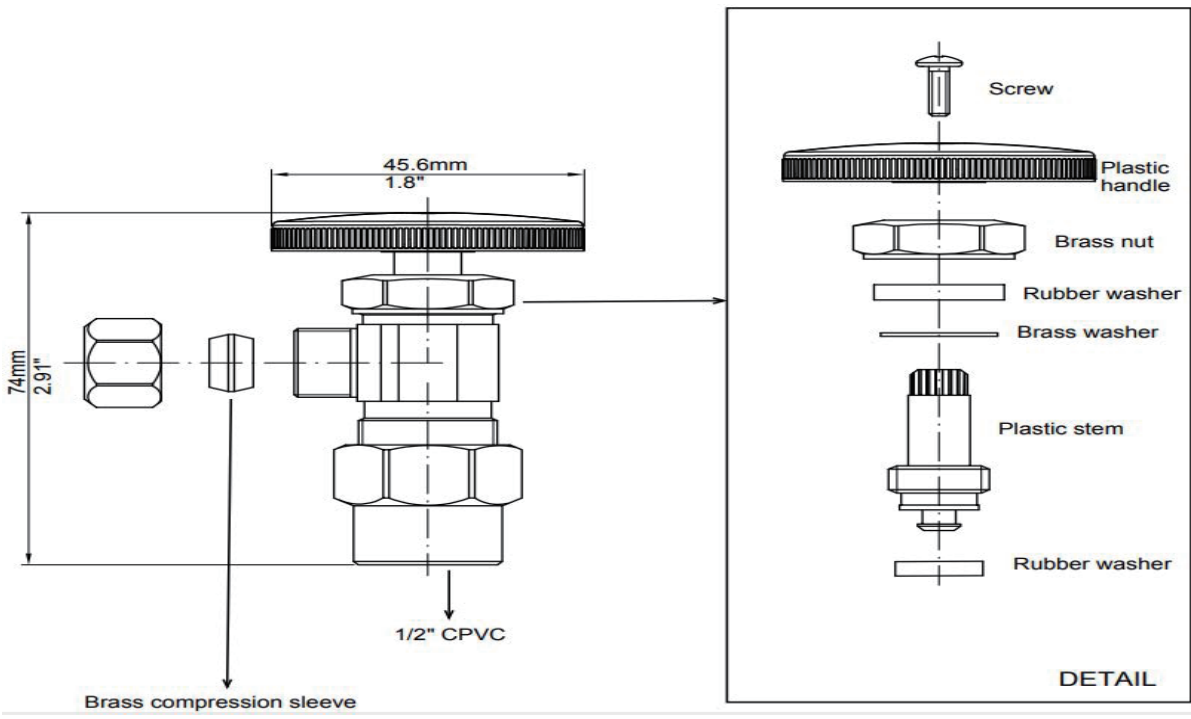
**PACKAGING:**  
Color Box w/ Barcode  
Inner carton: 20  
Master carton: 80

PART#	DESCRIPTION	FINISH
AS-CPVC-MT	3/8"OD Comp. X 1/2" Cpv.	Chrome



Country of origin: China

## ROUGH IN DRAWING



ALL DIMENSIONS SHOWN ARE NOMINAL

Meets requirements for NSF-61  
 Approved